



HEATED AND FROST-PROTECTED DRINKERS / HEATING UNITS



Drainage hole downwards

2 DRAINAGE HOLES!



Front evacuation

No wet or frozen manure in winter due to second drainage hole downwards!

COVER CAN BE TILTED UPWARDS!



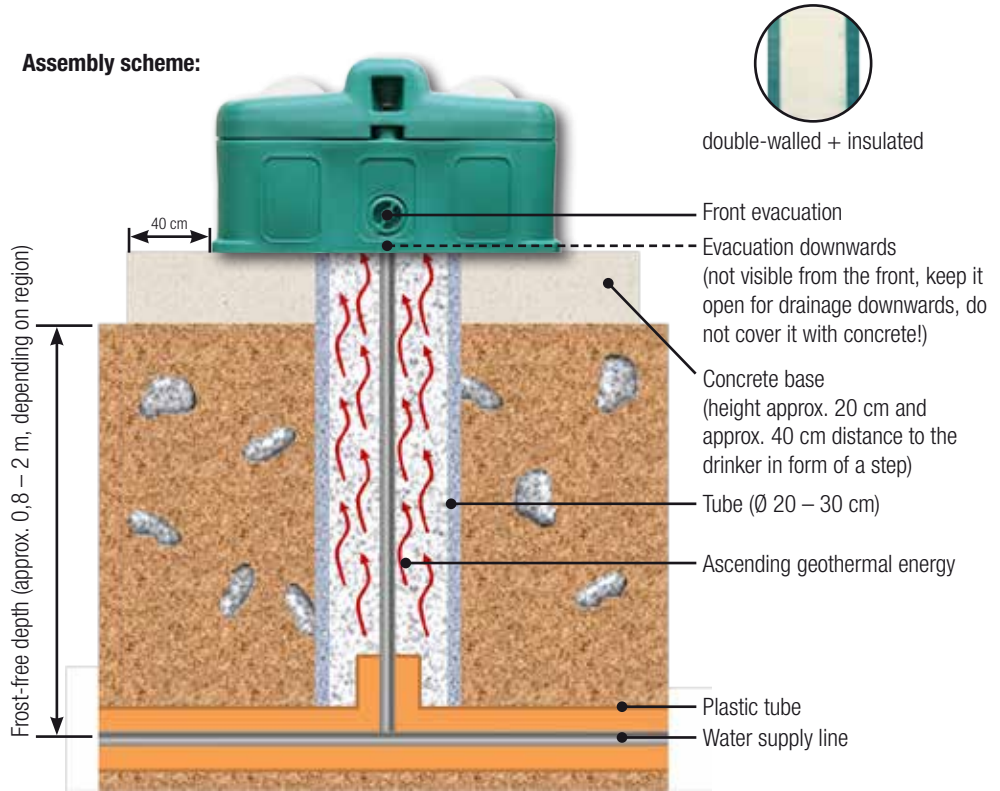
Frost-Protected Drinkers Thermo Source

SUEVIA Thermo Source Drinkers are **very well insulated** drinking facilities made of premium quality **UV-resistant polyethylene**, which provide frost-protected water **without use of electricity**. The perfect insulation prevents a drop in temperature and the water in the bowl from freezing even when extreme minus temperatures are given. The water supply line has to be placed in a frost-free depth valid for your area! "Earth-warm" water (in winter season approx. 6°C) runs into the thermo drinker through the high-capacity MAXIFLOW float-valve (up to 40 l/min) installed in the middle of the trough. Water level can be adjusted at MAXIFLOW float valve. Constant drinking out of the trough by the animals guarantees a continued renewal of "earth-warm" water in the drinker!
We recommend Thermo Source Drinkers in particular for those cases when no electricity is available in the stable!

Mod. 630 and Mod. 640, for cattle and horses. The drinking place is closed with a ball, which is pushed aside by the animals when they want to drink. After leaving the drinking place, the bowl closes the opening again.

Mod. 850 and Mod. 860, with visible water surface: suited **for animals with sensitive noses**. Water remains constantly accessible for the animals, they can see and smell the water! They do not have to press down balls or lift up flaps for drinking. Even very young animals accept this drinker in the very first days of life!

Assembly scheme:



Please ask your dealer for details.

Easy opening without use of tools! The cover can now be tilted upwards.

Large drainage hole! Due to a wide opening – evacuation within seconds

INSIDER TIP!

In order to avoid the danger of being soiled we recommend to place the thermo source drinker on a socle of approx. 20 cm of height. This socle should be large enough that when the animals want to drink they have to make a step with their forelegs on the basement: they will never make a step backwards onto the socle!





HEATED AND FROST-PROTECTED DRINKERS / HEATING UNITS

Model 630 with one ball drinking place

Order Ref. 130.0630

- Sufficient water supply of approx. **20 big animals, horses / cows**
- Recommended quantity of animals in case of minus temperatures at least 10 animals
- Armoured hose and socle sealing in scope of delivery
- Contents 40 l

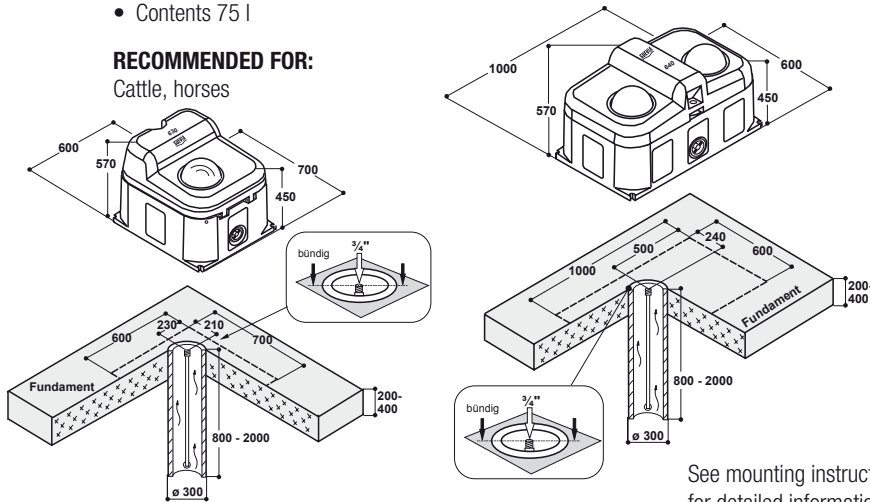
Model 640 with two ball drinking places

Order Ref. 130.0640

- Sufficient water supply of approx. **40 big animals, horses / cows**
- Recommended quantity of animals in case of minus temperatures at least 20 animals
- Armoured hose and socle sealing in scope of delivery
- Contents 75 l

RECOMMENDED FOR:

Cattle, horses



See mounting instructions for detailed information!

FROST-PROTECTED DOWN TO -25°C WITHOUT ELECTRICITY!



Model 850 with one drinking place

Order Ref. 130.0850

- Sufficient water supply of approx. **20 big animals, horses / cows, or 50 sheep / goats**
- Recommended quantity of animals in case of minus temperatures at least 10 big animals or 35 sheep / goats
- Armoured hose and socle sealing in scope of delivery
- Contents 40 l, dimensions see Mod. 630

Model 860 with two drinking places

Order Ref. 130.0860

- Sufficient water supply of approx. **40 large animals, horses / cows, or 100 sheep / goats**
- Recommended quantity of animals in case of minus temperatures at least 20 big animals or 75 sheep / goats
- Armoured hose and socle sealing in scope of delivery
- Contents 75 l, dimensions see Mod. 640

RECOMMENDED FOR:

Calves, horses, sheep, goats

Order Ref.	Type	Packing Hints	
130.0630	Thermo Source Model 630, 1 drinking place	1 piece	
130.0640	Thermo Source Model 640, 2 drinking places	1 piece	
130.0850	Thermo Source Model 850, 1 drinking place	1 piece	
130.0860	Thermo Source Model 860, 2 drinking places	1 piece	
131.6070	Heating Element for Mod. 630/640, 24 V, 180 W	1 piece/bag	
131.6071	Heating Element for Mod. 850/860, 24 V, 180 W	1 piece/bag	

FROST-PROTECTED DOWN TO -10°C WITHOUT ELECTRICITY!



HEATING ELEMENT for enhanced frost protection
Mod. 630/640 FROST-PROTECTED down to -35°C
Mod. 850/860 FROST-PROTECTED down to -25°C

Transformer necessary!

